

Form U3435
Part No. 409822-002
Printed in Japan

MACHINE PARTS CHART **for** **SINGER***

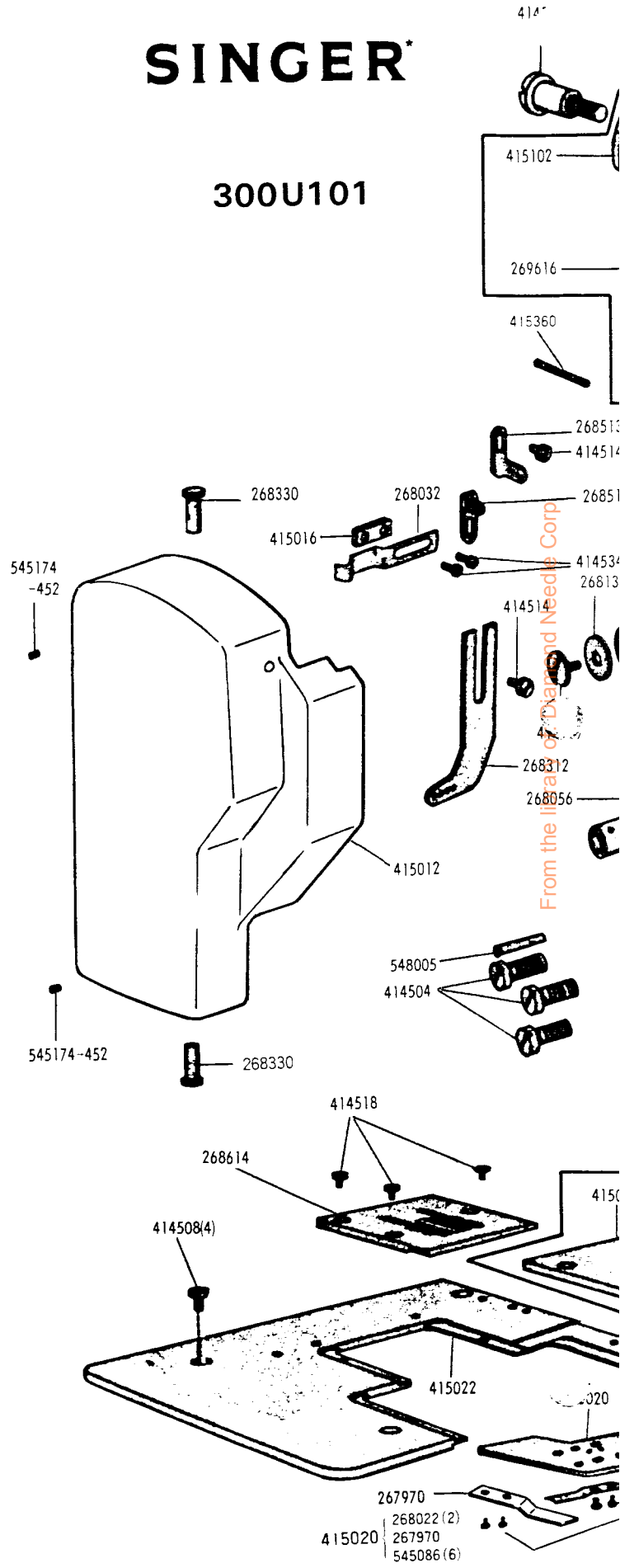
300U101

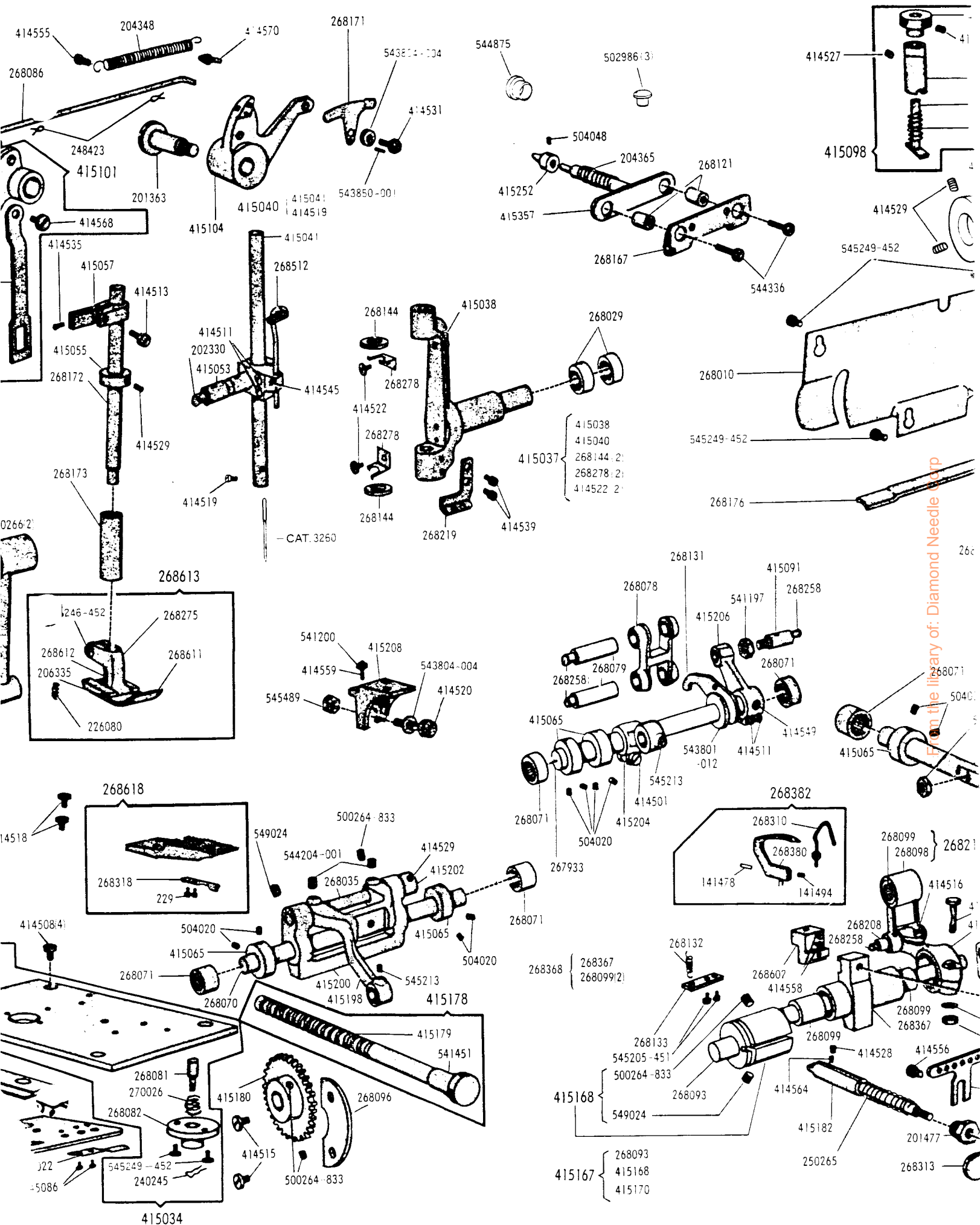
From the library of: Diamond Needle Corp

* A Trademark of THE SINGER COMPANY
Copyright © 1984 THE SINGER COMPANY
All Rights Reserved Throughout World

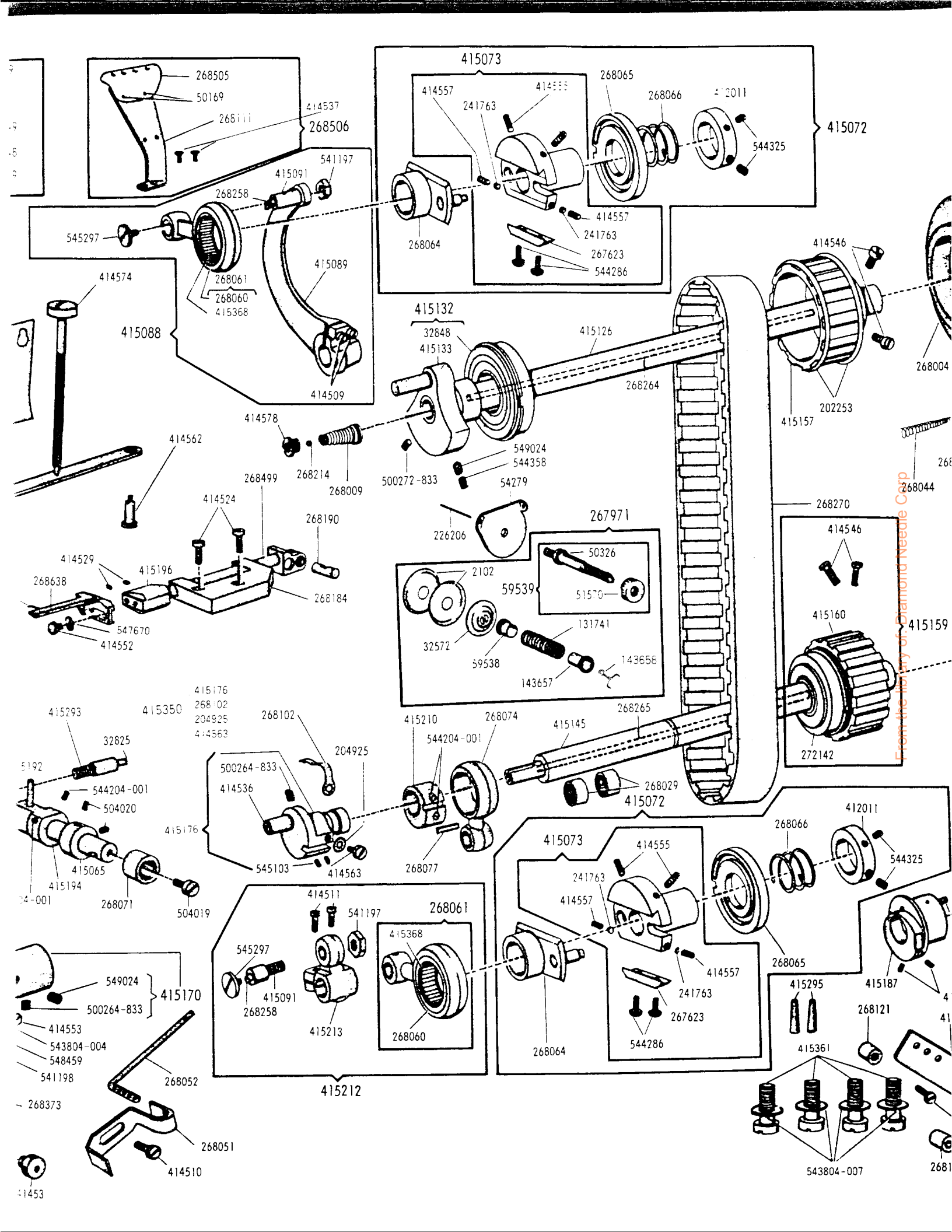
SINGER

300U101

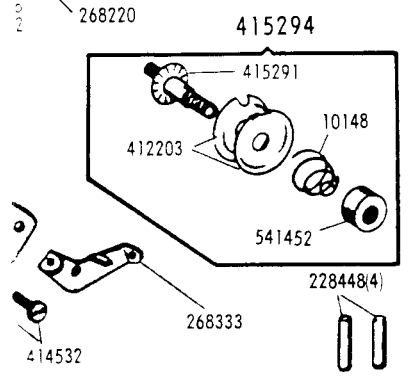
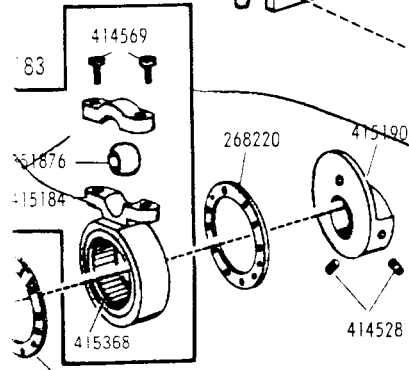
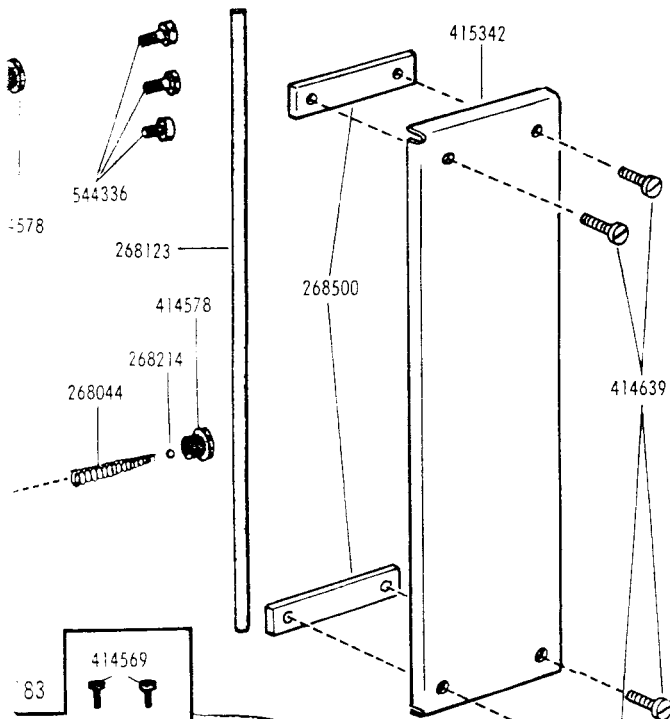
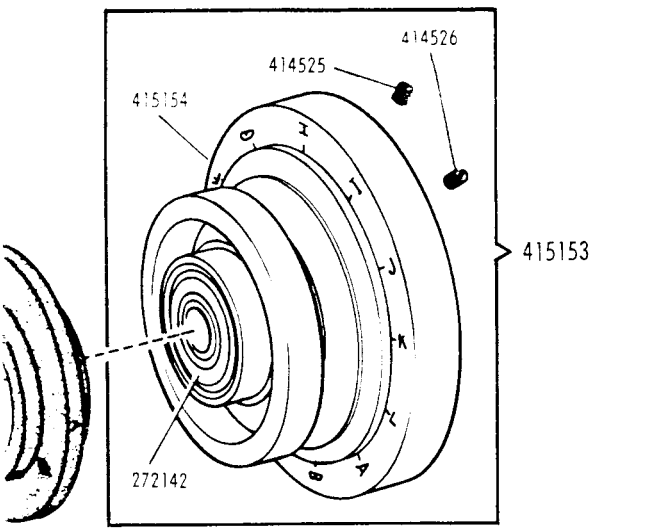




From the library of: Diamond Needle Corp



From the library of Diamond Needle Corp.



*big ones pressed in
new P/N. 281248.*

NUMERICAL LIST OF PARTS 300U101 MACHINE

PART NO.	DESCRIPTION	PART NO.	DESCRIPTION
229	Loop Deflector Screw (2)	268111	Looper Thread Guide (top of arm) Bracket
2102	Needle Thread Tension Disc (2)	268121	Looper Thread Tension Bracket Spacing Collar (2)
10148	Looper Thread Tension Spring	268121	Needle Thread Tension Bracket Spacing Collar (2)
32572	Needle Thread Tension Releasing Disc	268123	Looper Thread Tube
32825	Spreader Driving Rock Shaft Screw Stud Oil Packing (wick)	268131	Looper Throw-out Safety Latch
32848	Arm Shaft Ball Bearing (front)	268132	Looper Throw-out Safety Latch Spring
50169	Looper Thread Guide (top of arm) Bracket Screw (2)	268133	Looper Throw-out Safety Latch Spring Bracket
50326	Needle Thread Tension Stud	268139	Needle Bar Connecting Link Cap Washer
51570	Needle Thread Tension Thumb Nut	268144	Needle Bar Oiling Felt (2)
54279	Needle Thread Tension Thread Guide (double)	268148	Needle Bar Rock Frame Regulating Stud
59538	Needle Thread Tension Spring Bushing (back)	268149	Needle Bar Rock Frame Regulating Stud Sleeve
59539	Needle Thread Tension Stud 50326 with 51570	268162	Spreader Point
131741	Needle Thread Tension Spring	268167	Needle Thread Tension Bracket
141478	Needle Guard Set Screw (back)	268171	Needle Thread Tension Releasing Plate (adjustable)
141494	Needle Guard Set Screw (front)	268172	Presser Bar
143657	Needle Thread Tension Spring Bushing (front)	268173	Presser Bar Bushing
143658	Needle Thread Tension Thumb Nut Locking Spring	268176	Presser Bar Spring
201363	Foot Lifter Lever Hinge Screw	268184	Spreader Bar Bracket
201477	Looper Throw-out Gear Locking Plunger Screw Bushing	268190	Spreader Driving Pin
202253	Arm Shaft Connection Belt Pulley Spring Flange (2)	268208	Looper Carrier Crank Hinge Pin with 268258
202330	Needle Bar Connecting Stud Oil Packing (wick)	268214	Arm Shaft Oil Stop Ball 5/32 in. Diam. (2)
204348	Foot Lifter Lever Spring	268214	Bed Shaft Oil Stop Ball
204365	Needle Thread Tension Releaser Spring	268216	Looper Driving Connection 268098 with 268099
204925	Looper Driving Crank Oil Hole Cover Screw Washer	268219	Needle Bar Rock Frame Thread Guide
206335	Presser Foot Hinge Pin	268220	Spreader Driving Eccentric Thrust Washer (2)
214529	Needle Bar Rock Frame Regulating Stud Spring	268258	Feed Driving Connection Hinge Stud Oil Packing (wick)
226080	Presser Foot Plate Spring	268258	Feed Lifting Link Hinge Pin Oil Packing (wick) (2)
226206	Needle Thread Tension Releasing Pin	268258	Looper Carrier Crank Hinge Pin Oil Packing (wick)
228448	Machine Locating Stud (4)	268258	Needle Bar Rock Frame Driving Connection Hinge Stud Oil Packing (wick)
240245	Feed Regulating Stud Retaining Spring	268258	Feed Lifting Connection Hinge Stud Oil Packing (wick)
241763	Feed Driving Eccentric Friction Plate Screw Set Screw Packing (brass) (2)	268264	Arm Shaft Oil Control Rod (wood)
241763	Needle Bar Rock Frame Driving Eccentric Friction Plate Screw Set Screw Packing (brass) (2)	268265	Bed Shaft Oil Control Rod (wood)
248423	Foot Lifter Lever Rod Cotter Pin (2)	268270	Arm Shaft Connection Belt (reinforced neoprene)
250265	Looper Throw-out Gear Locking Plunger Spring	268275	Presser Foot Shank with 545246-452
267623	Feed Driving Eccentric Friction Plate	268278	Needle Bar Oiling Felt Holder (2)
267623	Needle Bar Rock Frame Driving Eccentric Friction Plate	268310	Needle Guide
267933	Feed Lifting Rock Shaft	268312	Needle Thread Guide (on arm head)
267970	Bed Plate Slide Spring (left upper)	268313	Looper Throw-out Gear Locking Plunger Handle
267971	Needle Thread Tension complete, Nos. 32572, 59538, 59539, 131741, 143657, 143658 and two 2102	268318	Loop Deflector
268004	Arm Shaft Ball Bearing (back) Housing	268330	Face Plate Hinge Stud (2)
268009	Arm Shaft Oil Stop Ball Spring (front)	268333	Looper Thread Tension Thread Guide
268010	Arm Side Cover	268367	Looper Carrier
268022	Bed Plate Slide Spring (2)	268368	Looper Carrier 268367 with two 268099
268029	Bed Shaft Needle Bearing (2)	268373	Looper Thread Guide (on bed at looper) for all gauges from 3/16 to 2 inches
268029	Needle Bar Rock Frame Needle Bearing (2)	268380	Looper with 141478 and 141494
268032	Face Plate Lock Spring	268382	Looper and Needle Guard complete, Nos. 268310 and 268380
268033	Face Plate Lock Stud	268499	Spreader Bar complete
268035	Feed Bar Hinge Pin	268500	Looper Thread Tube Gasket (2)
268044	Arm Shaft Oil Stop Ball Spring (rear)	268505	Looper Thread Guide (top of arm)
268044	Bed Shaft Oil Stop Ball Spring	268506	Looper Thread Guide (top of arm) Bracket 268111 with 268505 and two 50169
268051	Looper Thread Guide	268512	Needle Thread Guide (on needle bar connecting stud)
268052	Looper Thread Take-up Rod	268513	Needle Thread Guide (on side of arm and arm head) (2)
268056	Needle Bar Connecting Link with two 270266	268602	Looper Holder with two 414558
268060	Feed Driving Connection	268611	Presser Foot Plate
268060	Needle Bar Rock Frame Driving Connection	268612	Presser Foot Plate Heel Spring
268061	Feed Driving Connection 268060 with 415368	268613	Presser Foot (spring hinged) complete, 46 Needle Hole, Nos. 206335, 226080, 268275, 268611 and 268612
268061	Needle Bar Rock Frame Driving Connection 268060 with 415368	268614	Throat Plate
268064	Feed Driving Eccentric	268618	Feed Dog, 46 Needle Hole, for Needle Sizes 20 and 22 (teeth cut 15 to the inch) with 268318 and two 229 for 268614
268064	Needle Bar Rock Frame Driving Eccentric	268638	Spreader with 268162
268065	Feed Driving Eccentric Adjusting Disc	269616	Foot Lifter Lifting Link
268065	Needle Bar Rock Frame Driving Eccentric Adjusting Disc	270026	Feed Regulating Stud Spring
268066	Feed Driving Eccentric Adjusting Disc Spring	270266	Needle Bar Connecting Link Needle Bearing (2)
268066	Needle Bar Rock Frame Driving Eccentric Adjusting Disc Spring	272142	Arm Shaft Ball Bearing (back)
268070	Feed Driving Rock Shaft	272142	Bed Shaft Ball Bearing
268071	Feed Driving Rock Shaft Needle Bearing (2)	351876	Spreader Driving Rock Shaft Screw Stud Ball Roller
268071	Feed Lifting Rock Shaft Needle Bearing (2)	412011	Feed Driving Eccentric Adjusting Disc Spring Collar with two 544325
268071	Spreader Driving Rock Shaft Needle Bearing (2)	412011	Needle Bar Rock Frame Driving Eccentric Adjusting Disc Spring Collar with two 544325
268074	Feed Lifting Connection	412203	Looper Thread Tension Disc (2)
268077	Feed Lifting Eccentric Lubricating Pad (wood)	414501	Feed Lifting Crank Pinch Screw
268078	Feed Lifting Link	414504	Arm Head Screw (3)
268079	Feed Lifting Link Hinge Pin with 268258 (2)	414508	Bed Plate Screw (8)
268081	Feed Regulating Stud	414509	Needle Bar Rock Frame Driving Arm Pinch Screw (2)
268082	Feed Regulating Stud Socket	414510	Looper Thread Guide Screw
268086	Foot Lifter Lever Rod	414511	Feed Driving Rock Shaft Crank Pinch Screw (2)
268093	Looper Carrier Shaft	414511	Feed Lifting Rock Shaft Crank Pinch Screw (2)
268096	Looper Carrier Shaft Bushing (left) Position Plate	414511	Needle Bar Connecting Stud Pinch Screw (2)
268098	Looper Driving Connection		
268099	Looper Carrier Needle Bearing (2)		
268099	Looper Driving Connection Needle Bearing		
268102	Looper Driving Crank Oil Hole Cover		

NUMERICAL LIST OF PARTS 300U101 MACHINE

PART NO.	DESCRIPTION	PART NO.	DESCRIPTION
414513	Presser Bar Guide Bracket Pinch Screw	415073	Feed Driving Eccentric Flange with 267623, two each 241763, 414555, 414557 and 544286
414514	Needle Thread Guide Screw (2)	415073	Needle Bar Rock Frame Driving Eccentric Flange with 267623 two each 241763, 414555, 414557 and 544286
414515	Looper Carrier Shaft Bushing (left) Position Plate Screw (2)	415088	Needle Bar Rock Frame Driving Arm 415089 with 268061, 415091, 541197 and 545297
414516	Looper Carrier Crank Hinge Pin Pinch Screw	415089	Needle Bar Rock Frame Driving Arm with two 414509
414517	Needle Bar Connecting Link Cap Washer Screw	415091	Feed Driving Connection Hinge Stud with 268258
414518	Feed Deg Screw (2)	415091	Feed Lifting Connection Hinge Stud with 268258
414518	Throat Plate Screw (3)	415091	Needle Bar Rock Frame Driving Connection Hinge Stud with 268258
414519	Needle Set Screw	415098	Needle Bar Rock Frame Regulating Stud complete, Nos. 214529, 268148, 268149 and 415099
414520	Feed Dog Shank Screw	415099	Needle Bar Rock Frame Regulating Stud Cap with 414528
414522	Needle Bar Oiling Felt Holder Screw (2)	415101	Foot Lifter Bell Crank 415102 with 269616 and 414568
414524	Spreader Bar Bracket Screw (2)	415102	Foot Lifter Bell Crank
414525	Machine Pulley Set Screw	415104	Foot Lifter Lever with 543850-001
414526	Machine Pulley Position Screw	415126	Arm Shaft with 268009, 268044, 268264 two each 268214 and 414578
414527	Needle Bar Rock Frame Regulating Stud Sleeve Set Screw	415132	Needle Bar Crank 415133 with 32848
414528	Looper Throw-out Gear Locking Plunger Stop Screw Set Screw	415133	Needle Bar Crank with 500272-833, 544358 and 549024
414528	Needle Bar Rock Frame Regulating Stud Cap Set Screw	415145	Bed Shaft with 268044, 268214, 268265 and 414578
414528	Spreader Driving Eccentric Set Screw (2)	415153	Machine Pulley 415154 with 272142
414528	Spreader Driving Eccentric Counterbalance Set Screw (2)	415154	Machine Pulley (aluminum alloy casting) for "V" Belt (outside diam. of belt groove 2.9 in.) with 414525 and 414526
414529	Feed Bar Hinge Pin Collar Set Screw	415157	Arm Shaft Connection Belt Pulley with two each 202253 and 414546
414529	Lifting Eccentric Spacing Collar Screw (2)	415159	Bed Shaft Connection Belt Pulley 415160 with 272142
414529	Presser Bar Stop Collar Set Screw	415160	Bed Shaft Connection Belt Pulley with two 414546
414529	Spreader Holder Set Screw (2)	415167	Looper Carrier Shaft complete, Nos. 268093, 415168 and 415170
414531	Needle Thread Tension Releasing Plate Screw	415168	Looper Carrier Shaft Bushing (left) with 500264-833 and 549024
414532	Looper Thread Tension Bracket Screw (2)	415170	Looper Carrier Shaft Bushing (right) with 500264-833 and 549024
414534	Face Plate Lock Spring Screw (2)	415174	Looper Carrier Crank with 414516
414535	Presser Bar Guide Bracket Adjusting Screw	415176	Looper Driving Crank complete, Nos. 414536, 500264-833 and two 545103
414536	Looper Driving Crank Oil Stop Screw	415178	Looper Throw-out Rack Rod 415179 with 541451
414537	Looper Thread Guide (top of arm) Bracket Screw (2)	415179	Looper Throw-out Rack Rod
414539	Needle Bar Rock Frame Thread Guide Screw (2)	415180	Looper Throw-out Gear with two 500264-833
414545	Needle Thread Guide (on needle bar connecting stud) Set Screw	415182	Looper Throw-out Gear Locking Plunger
414546	Arm Shaft Connection Belt Pulley Set Screw (2)	415183	Spreader Driving Connection 415184 with 351876 and 415368
414546	Bed Shaft Connection Belt Pulley Set Screw (2)	415184	Spreader Driving Connection with two 414569
414549	Feed Lifting Rock Shaft Crank Position Screw	415187	Spreader Driving Eccentric with 543808-002 and two 414528
414552	Spreader Screw	415190	Spreader Driving Eccentric Counterbalance with two 414528
414553	Looper Holder Screw	415192	Spreader Driving Rock Shaft with 504019
414555	Feed Driving Eccentric Flange Set Screw (2)	415194	Spreader Driving Crank with two 544204-001
414555	Needle Bar Rock Frame Driving Eccentric Flange Set Screw (2)	415196	Spreader Holder with two 414529
414555	Presser Bar Spring Adjusting Screw Set Screw	415198	Feed Bar with 545213 and two 544204-001
414556	Looper Thread Guide (on bed at looper) Screw	415200	Feed Driving Rock Frame with 500264-833 and 549024
414557	Feed Driving Eccentric Friction Plate Screw Set Screw (2)	415202	Feed Bar Hinge Pin Collar with 414529
414557	Needle Bar Rock Frame Driving Eccentric Friction Plate Screw Set Screw (2)	415204	Feed Lifting Crank with 414501 and 545213
414558	Looper Set Screw (2)	415206	Feed Lifting Rock Shaft Crank with 414549 and two 414511
414559	Feed Dog Shank Adjusting Screw	415208	Feed Dog Shank with 414559 and 541200
414562	Presser Bar Spring Support Screw	415210	Feed Lifting Eccentric with 268077 and two 544204-001
414563	Looper Driving Crank Oil Hole Cover Screw	415212	Feed Driving Rock Shaft Crank 415213 with 268061, 415091, 541197 and 545297
414564	Looper Throw-out Gear Locking Plunger Stop Screw	415213	Feed Driving Rock Shaft Crank with two 414511
414568	Foot Lifter Lifting Link Hinge Screw	415252	Needle Thread Tension Releaser Cap with 504048
414569	Spreader Driving Connection Cap Screw (2)	415255	Looper Thread Tension Bracket
414570	Foot Lifter Lever Spring Screw Eye	415291	Looper Thread Tension Stud
414572	Foot Lifter Bell Crank Hinge Screw	415292	Looper Carrier Crank Clamping Stud
414574	Presser Bar Spring Adjusting Screw	415293	Spreader Driving Rock Shaft Screw Stud with 32825
414578	Arm Shaft Oil Stop Ball Screw (2)	415294	Looper Thread Tension complete, Nos. 10148, 415291, 541452 and two 412203
414639	Bed Shaft Oil Stop Ball Screw	415295	Arm Position Pin (2)
415012	Looper Thread Tube Cover Screw (4)	415308	Lifting Eccentric Spacing Collar with two 414529
415016	Face Plate with 268033 and two 545174-452	415342	Looper Thread Tube Cover
415020	Face Plate Lock Spring Plate	415350	Looper Driving Crank 415176 with 204925, 268102 and two 414563
415020	Bed Plate Slide with two 268022 and 267970 with six 545086, for gauges from 0 to 1-1/2 in.	415357	Needle Thread Tension Releaser
415022	Bed Plate (left), for gauges from 0 to 1-1/2 in.	415360	Foot Lifter Lifting Link Stop Pin
415034	Bed Plate (right) 415035 with 240245, 268081, 268082, 270026 and two 545249-452	415361	Arm Screw (4)
415035	Bed Plate (right)	415368	Needle Bar Rock Frame Driving Connection Needle Bearing
415037	Needle Bar Rock Frame 415038 with 415040 and two each 268144, 268278 and 414522		
415038	Needle Bar Rock Frame		
415040	Needle Bar with 414519		
415041	Needle Bar		
415053	Needle Bar Connecting Stud with 202330, 414545 and two 414511		
415055	Presser Bar Stop Collar with 414529		
415057	Presser Bar Guide Bracket with 414513 and 414535		
415065	Feed Driving Rock Shaft Collar with two 504020 (2)		
415065	Feed Lifting Rock Shaft Collar with two 504020 (2)		
415065	Spreader Driving Rock Shaft Collar with two 504020 (2)		
415072	Feed Driving Eccentric complete, Nos. 268064, 268065, 268066, 412011 and 415073		
415072	Needle Bar Rock Frame Driving Eccentric complete, Nos. 268064, 268065, 268066, 412011 and 415073		

from the library of: **Digitized Needle Corp.**

NUMERICAL LIST OF PARTS 300U101 MACHINE

PART NO.	DESCRIPTION	PART NO.	DESCRIPTION
415368	Spreader Driving Connection Needle Bearing	545213	Feed Lifting Link Hinge Pin Set Screw (2)
415368	Feed Driving Connection Needle Bearing	545246-452	Presser Foot Shank Pinch Screw
500264-833	Looper Driving Crank Set Screw	545249-452	Arm Side Cover Screw (3)
500264-833	Feed Driving Rock Frame Set Screw	545249-452	Feed Regulating Stud Socket Screw (2)
500264-833	Looper Carrier Shaft Bushing Set Screw (2)	545297	Feed Driving Connection Cap Screw
500264-833	Looper Throw-out Gear Set Screw (2)	545297	Needle Bar Rock Frame Driving Connection Cap Screw
500272-833	Needle Bar Crank Set Screw	545424	Spreader Driving Rock Shaft Screw Stud Nut
502986	Arm Head Plug (3)	545489	Feed Dog Shank Screw Lock Nut
504019	Looper Thread Take-up Rod Set Screw	547670	Spreader Screw Washer
504020	Feed Driving Rock Shaft Collar Set Screw (4)	548005	Arm Head Position Pin
504020	Feed Lifting Rock Shaft Collar Set Screw (4)	548459	Looper Carrier Crank Clamping Stud Washer
504020	Spreader Driving Rock Shaft Collar Set Screw (4)	549024	Feed Driving Rock Frame Position Screw
504048	Needle Thread Tension Releaser Cap Set Screw	549024	Looper Carrier Shaft Bushing Position Screw (2)
541197	Feed Driving Connection Hinge Stud Nut	549024	Needle Bar Crank Position Screw
541197	Feed Lifting Connection Hinge Stud Nut	Cat. 3260	Needle (#22)
541197	Needle Bar Rock Frame Driving Connection Hinge Stud Nut		
541198	Looper Carrier Crank Clamping Stud Nut		
541200	Feed Dog Shank Adjusting Screw Lock Nut		
541451	Looper Throw-out Rack Rod Thumb Nut		
541452	Looper Thread Tension Thumb Nut		
541453	Looper Throw-out Gear Locking Plunger Thumb Nut	21887	Wrench
543801-012	Looper Throw-out Safety Latch Retaining Ring	41400	Machine Rest Pin (wood)
543804-004	Feed Dog Shank Screw Washer	167448	Machine Base Oil Drain Jar
543804-004	Looper Holder Screw Washer	202784	Foot Lifter Treadle Chain Hook (2)
543804-004	Needle Thread Tension Releasing Plate Screw Washer	228444	Machine Cushion (neoprene) (4)
543804-007	Arm Screw Washer (4)	228731	Drip Pan
543808-002	Spreader Driving Eccentric Pin	228733	Machine Rest (left)
543850-001	Needle Thread Tension Releasing Plate Pin	228734	Machine Rest (right)
544204-001	Feed Lifting Eccentric Set Screw (2)	232365	Foot Lifter Treadle Chain, 41-1/2 inches long
544204-001	Feed Bar Set Screw (2)	265307	Bed Hinge Connection (2)
544204-001	Spreader Driving Crank Set Screw (2)	268340	Looper Threading Wire
544286	Feed Driving Eccentric Friction Plate Screw (2)	409813-002	Operator's Guide (U-3426)
544286	Needle Bar Rock Frame Driving Eccentric Friction Plate Screw (2)	505656-005	Thread Unwinder complete
544325	Feed Driving Eccentric Adjusting Disc Spring Collar Set Screw (2)	414583	Wood Screw (for machine rest) (4)
544325	Needle Bar Rock Frame Driving Eccentric Adjusting Disc Spring Collar Set Screw (2)	415347	Oiler Nozzle and Tube Assembly
544336	Arm Shaft Ball Bearing (back) Housing Screw (3)	415377	Threader Wire
544336	Needle Thread Tension Bracket Screw (2)	543162	Tweezers
544358	Needle Bar Crank Position Screw Check Screw	544381	Bed Hinge Connection Screw (4)
544875	Arm Plug	545302	Drip Pan Screw (4)
545086	Bed Plate Slide Spring Screw (6)	546923	Oiler with Oil Spout
545103	Looper Driving Crank Position Screw (2)	Cat. No. 3260	Needles (62 x 57) Size 22 (6)
545174-452	Face Plate Hinge Stud Set Screw (2)		
545205-451	Looper Throw-out Safety Latch Spring Bracket Screw (2)	415433	Belt Guard complete

ACCESSORIES

AVAILABLE AT EXTRA CHARGE

From the library of: Diamond Needle Corp

AR